



Special Features

- Nominal pressure up to 400 kg/cm²
- 7 different adjustable ranges
- Over pressure up to 600 kg/cm²
- Below / Diaphragm & Piston Type Models Available

Application

- Designed to protect pressure instruments from over pressure exceeding the specified pressure range by sudden & excessive pressure fluctuation from surge or spike.
- This device blocks the higher pressure exceeding the allowed value, until it comes back to normal, when system pressure becomes normal.
- Hence this device safeguards the pressure instruments, gauges, switches or transmitters by blocking extra high pressure.
- Widely used in mechanical engineering and plant construction, power stations, mining, environmental technology, chemical and petrochemical, on shore & off shore.

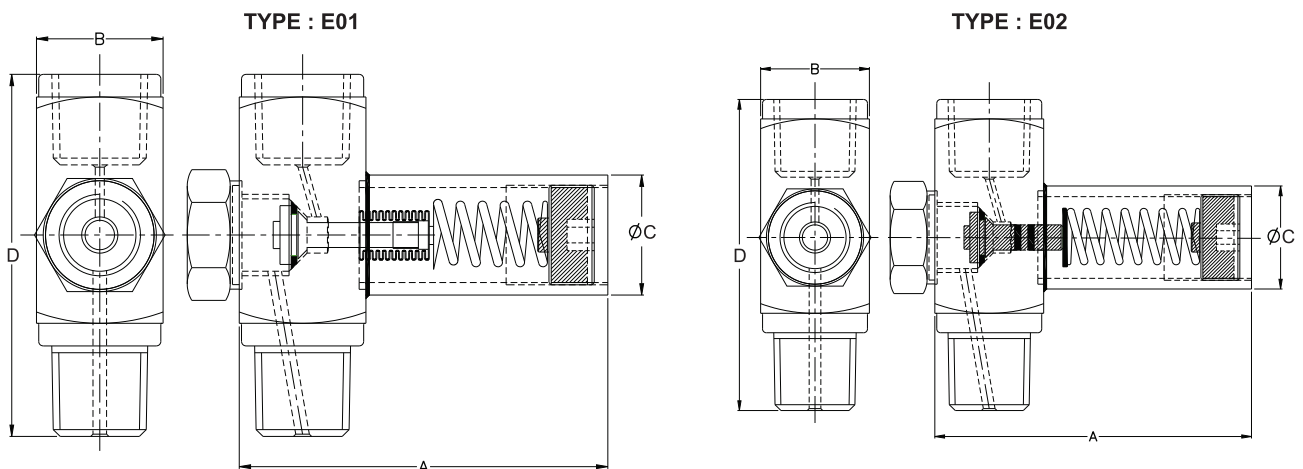
E01: Bellow Type

Specifications

Standard Version

| | | |
|--------------------------|---|---|
| Overload Protector Type | : | E01: Below / Diaphragm Type |
| | : | E02: Piston Type |
| Adjustable Range | : | E01: 0.6 kg/cm ² to 2.5 kg/cm ² |
| | : | E02: 4 kg/cm ² to 400 kg/cm ² |
| 'O' Ring | : | Viton |
| Maximum Working pressure | : | upto 600 bar Depends on Range |
| Operating Temperature | : | -20°C to 120°C |
| Material of construction | : | AISI 316 SS |

Dimensions - Standard Version



| A | B | ØC | D | Weight in gram (With Box) |
|----|--------|------|----|---------------------------|
| 89 | 28 Sq. | 26.5 | 80 | 500 |

| A | B | ØC | D | Weight in gram (With Box) |
|----|--------|------|----|---------------------------|
| 89 | 28 Sq. | 26.5 | 80 | 490 |

Notes : • Drawings are not to scale. • All Dimensions are in mm.

| How To Order | | | | | | Example |
|---|--|----------------|------------------|----------------|---------------------------------|---------|
| Basic Model | | | | | | |
| Code | | | | | | |
| Adjustable range | | | | | | |
| Note: Please specify required pressure range or adjustable pressure range while ordering. Otherwise the protector will be set to first value of adjustable range table. | | | | | | |
| Type | Adjustable Range (kg/cm² or bar) | | | | | |
| Bellow (E01) | 0.6 to 2.5 | | | | | |
| Piston (E02) | 4 to 6 | | | | | XXX |
| Piston (E02) | 7 to 16 | | | | | OR |
| Piston (E02) | 10 to 40 | | | | | XXX |
| Piston (E02) | 30 to 80 | | | | | XXX |
| Piston (E02) | 60 to 160 | | | | | |
| Piston (E02) | 100 to 400 | | | | | |
| Body | | | | | | |
| CL | AISI 316 SS (Standard) | CN | Monel | HA | Hastelloy C | XX |
| Process Connection | | | | | | |
| 2BM.2BF | 1/4" BSP (M x F) | 3BM.3BF | 3/8" BSP (M x F) | 4BM.4BF | 1/2" BSP (M x F) (Standard) | |
| 2NM.2NF | 1/4" NPT (M x F) | 3NM.3NF | 3/8" NPT (M x F) | 4NM.4NF | 1/2" NPT (M x F) (Standard) | XXX.XXX |
| 4MM.4MF | M20 x 1.5 (M x F) | | | | | |
| Note : Connections like Metric/ PT/ PF/ Flaired/ UNF/ G/ R etc can be provided on request. | | | | | | |
| Options | | | | | | |
| GH | Material test certificates** | SG | Oxygen service* | TF | Conformity as per NACE Standard | XX |
| * Applicable for Stainless Steel version. | | | | | | |
| ** Material test certificates will be provided for wetted parts only with chemical composition testing. For others, Please consult factory. | | | | | | |

Ordering Example : GS - XXX - Range - XX - XXX.XXX - XX

For other optional items, please contact factory for delivery and minimum quantity of order.

Note : Specifications and dimensions given in this product catalogue represents the state of engineering at the time of printing. Modifications may take place and materials specified may be replaced by others without prior notice.